


























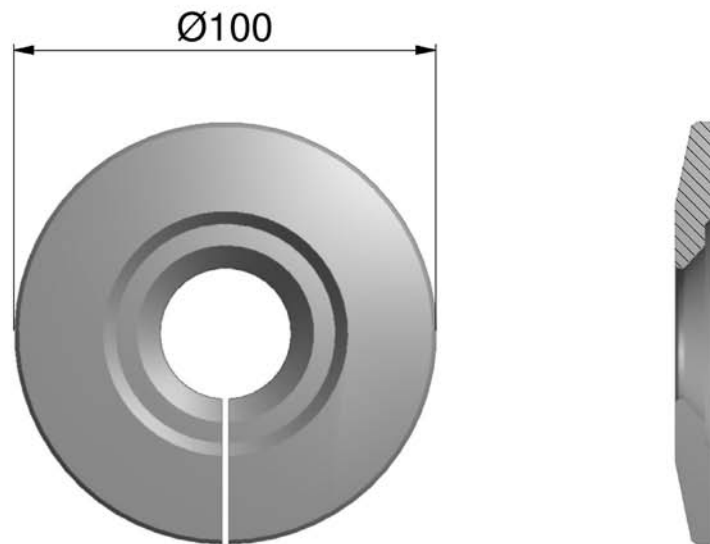


# AS Schöler + Bolte

## Product overview 07

Ceramic products and clips	 BER100	 CER50	 CFF	 CDR
	 CDRS	 D38	 D60	 LPC
	 MTC	 POC	 R3	
Studs	 BU	 KBF	 KBFS	 UD
Hex nuts and threaded washers	 D38M	 D38NA	 DIN934	 GWP
	 Rundmutter			
Washers	 DIN9021	 KSC	 ULP	
Rectangular studs	 FSA	 FSB	 FSC	 EHL



## BER-100

07 Cuplock

# AS Schöler + Bolte

Refractory Anchoring Systems

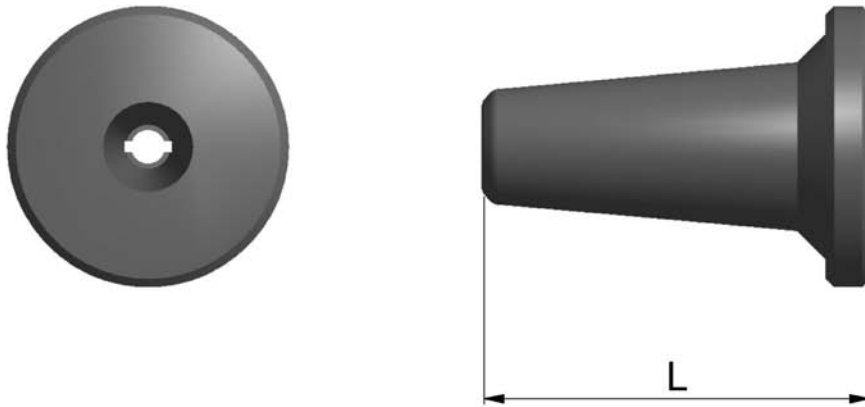


**CER-50**

05 CER-Stud

# AS Schöler + Bolte

Refractory Anchoring Systems



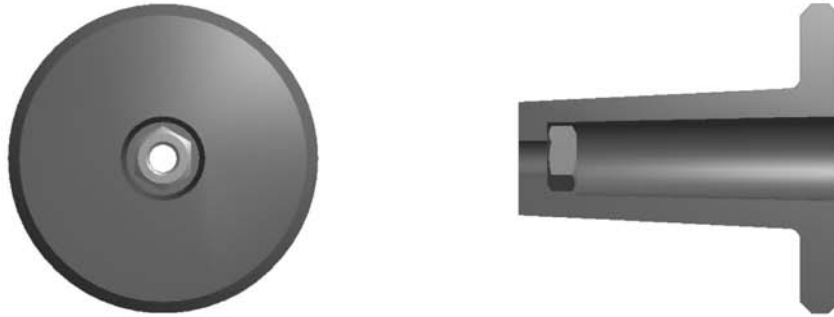
**CFF-050**

**05** Fiberfix studs

**07** Bearing

# AS Schöler + Bolte

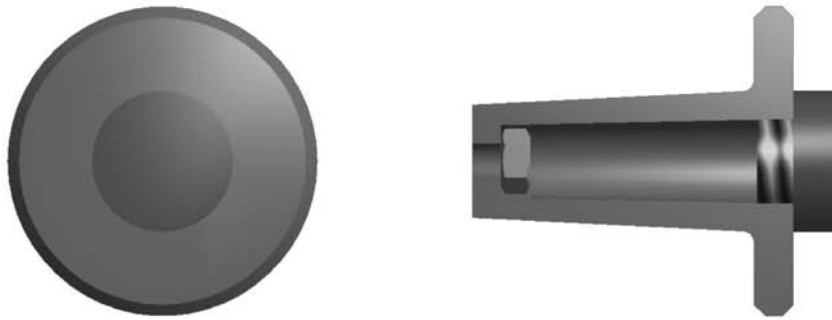
Refractory Anchoring Systems



**CDR**

**05** Threaded studs

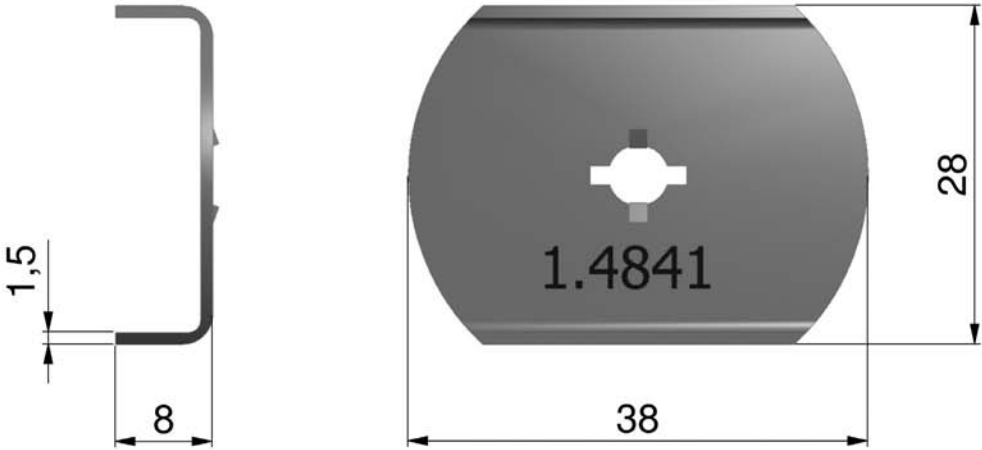
**07** Bearing



## CDR S

**05** Threaded studs

**07** Bearing



**D38 - 1.4841**

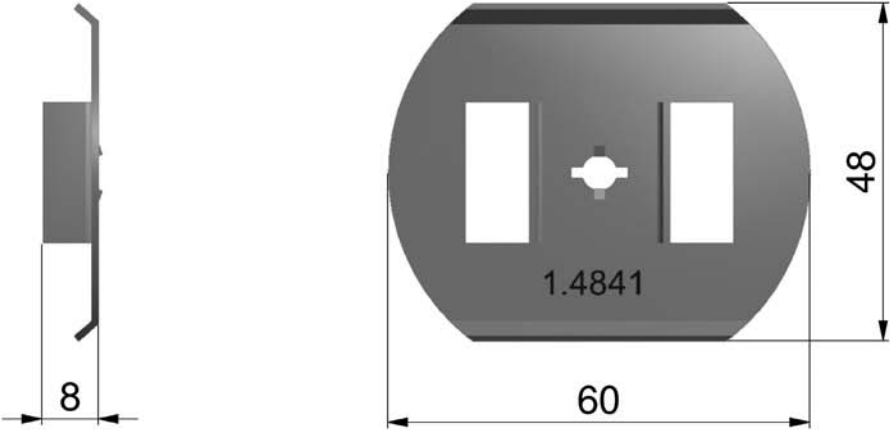
*Clip type*

*Alloy type*

05 Fiberfix studs

# AS Schöler + Bolte

Refractory Anchoring Systems



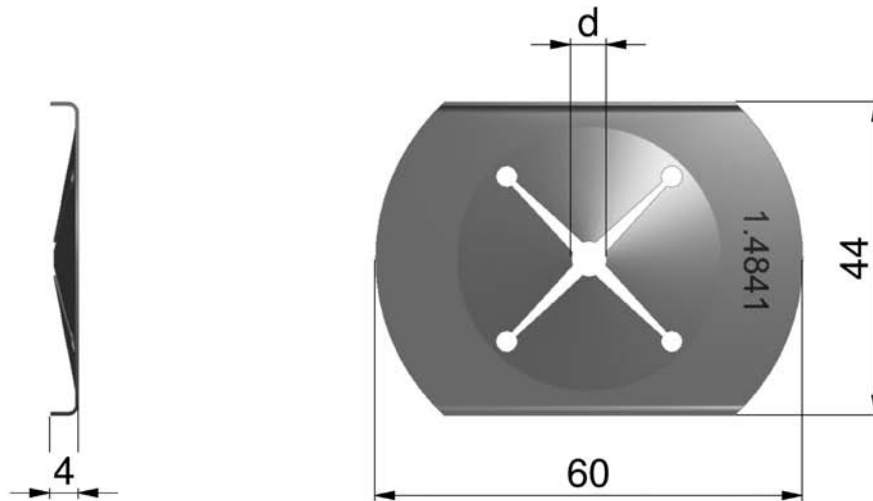
**D60-1.4841**

*Clip type*

*Alloy type*

05 Fiberfix studs





**LPC-6-1.4841**

Clip type

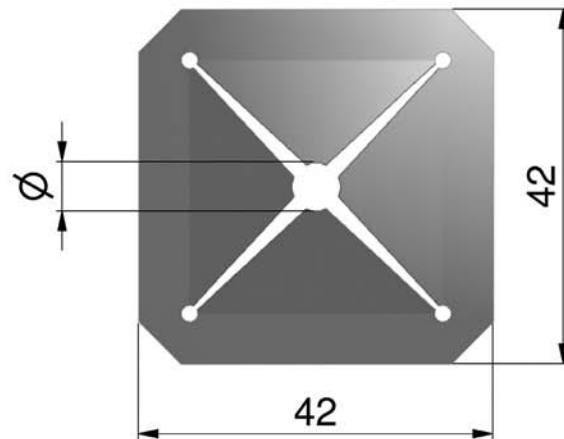
Diameter d

Alloy type

**05** Threaded studs

# AS Schöler + Bolte

Refractory Anchoring Systems



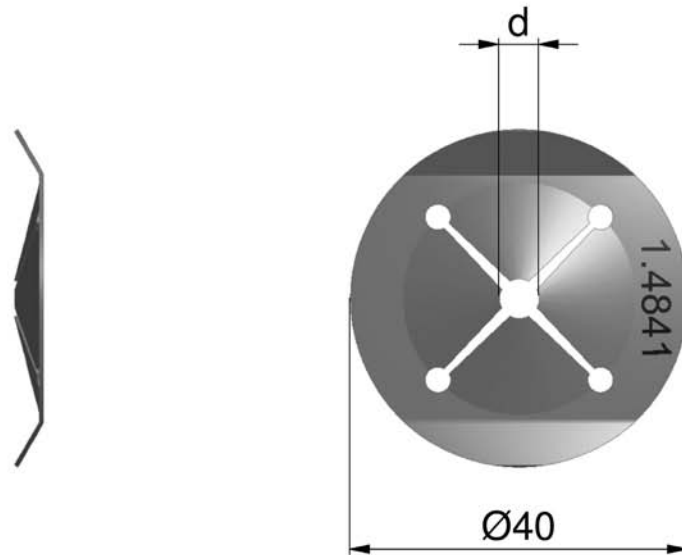
**MTC-5-1.4301**

Clip type

Diameter  $\varnothing$

Alloy type

05 Fiberfix studs/ Threaded studs



**POC-5-1.4841**

Clip type

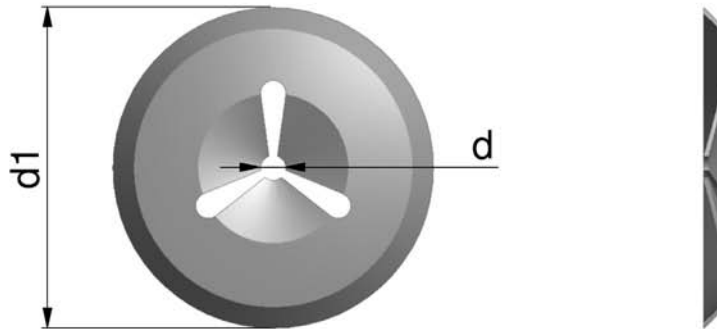
Diameter Ø

Alloy type

**05** Threaded studs

# AS Schöler + Bolte

Refractory Anchoring Systems



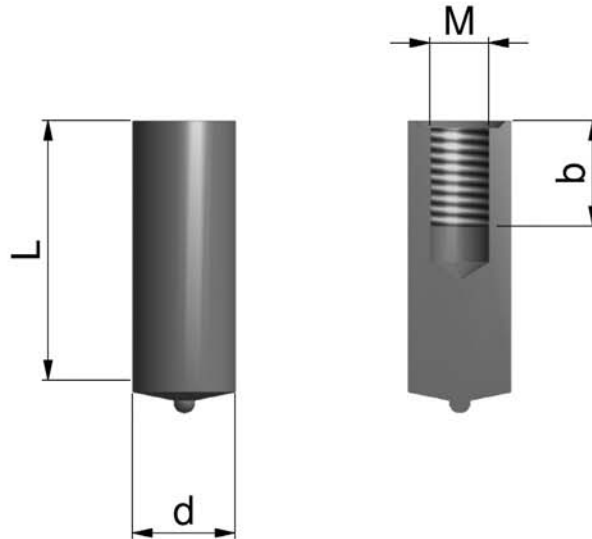
**R-3-38-1.4310**

Clip type  
Diameter  $d$   
Diameter  $d1$   
Alloy type

06 Insulation pin

# AS Schöler + Bolte

Refractory Anchoring Systems



**BU-M8-15-14-40-1.4841**

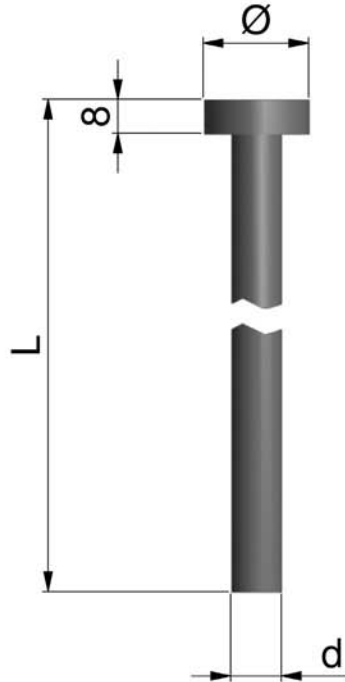
Stud type  
Thread diameter M  
Thread length b  
Stud diameter d  
Length L  
Alloy type

09 Ferrules

10 Stud welding unit/ Welding gun

# AS Schöler + Bolte

Refractory Anchoring Systems



**KBF-12-300-25-1.4841**

Stud type

Diameter d

Stud length L

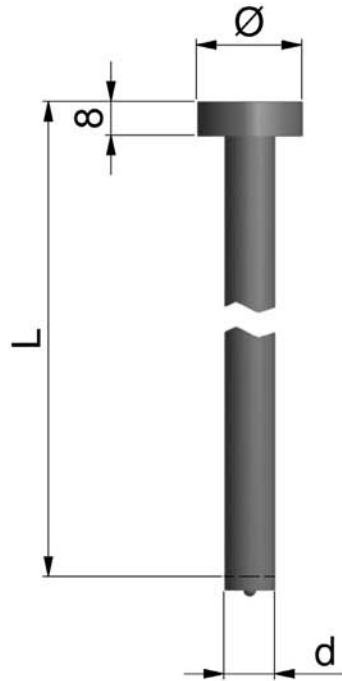
Diameter Ø

Alloy type

01 Round bar anchor

# AS Schöler + Bolte

Refractory Anchoring Systems



## KBFS-12-300-25-1.4841-BS

Stud type

Diameter d

Stud length L

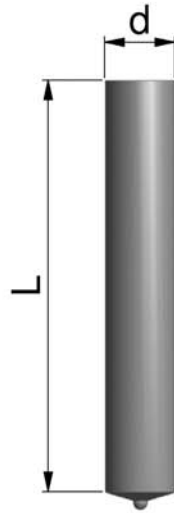
Kopfdiameter Ø

Alloy type

**01** Round bar anchor

**09** Ferrules

**10** Stud welding unit/ Welding gun



## UD-10-30-1.4841

Stud type

Stud diameter d

Stud length L

Alloy type

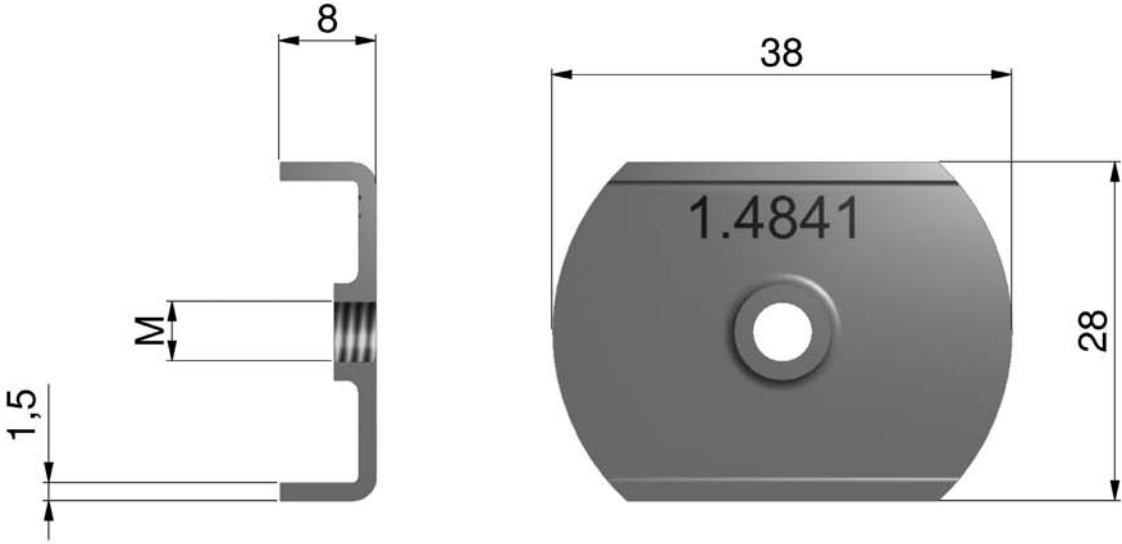
**09** Ferrules

---

**10** Stud welding unit/ Welding gun

---

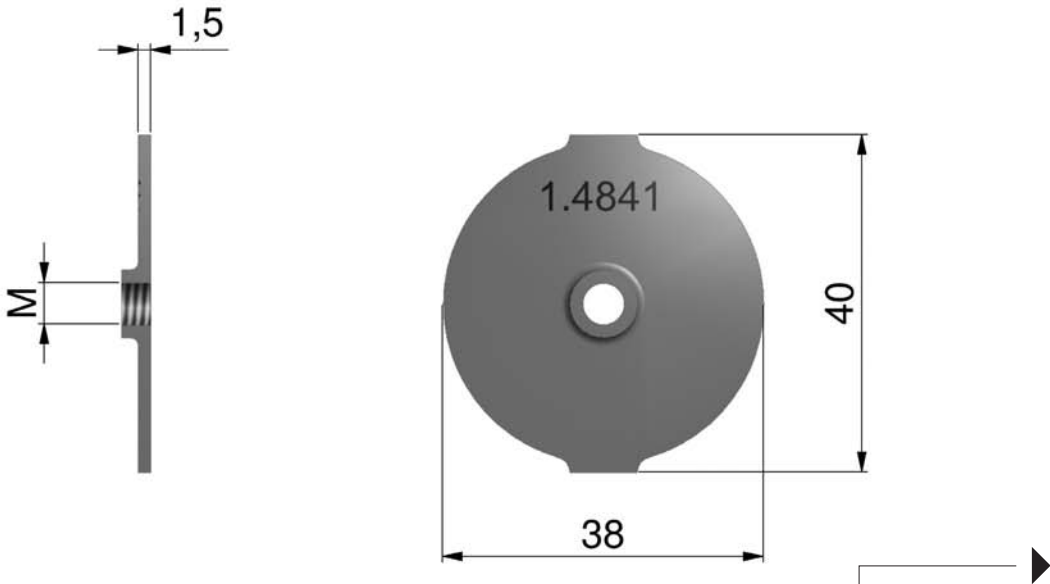




**D38-M5-1.4841**

Clip type  
Thread diameter  
Alloy type

05 Threaded studs



**D38 NA-M5-1.4841**

Washer type

Thread diameter

Alloy type

05 Threaded studs



## DIN 934-M6-1.4845

Nut type

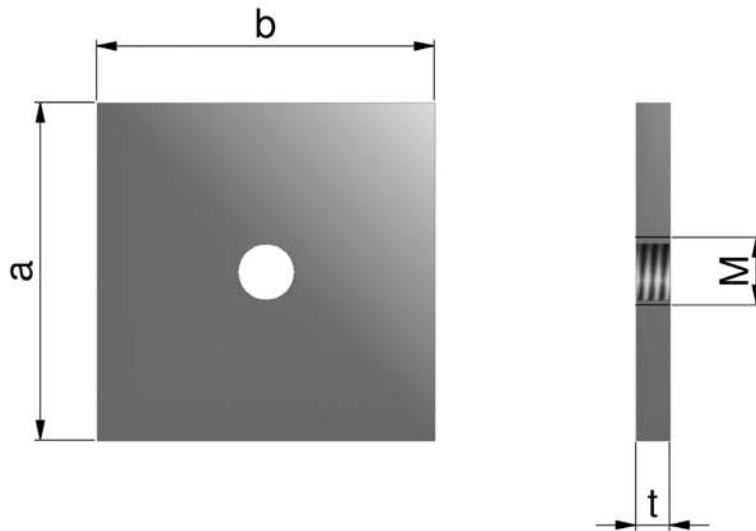
Thread diameter

Alloy type

(Square nuts according DIN 934 (ISO 4032), other DIN/ ISO-Norms possible)

# AS Schöler + Bolte

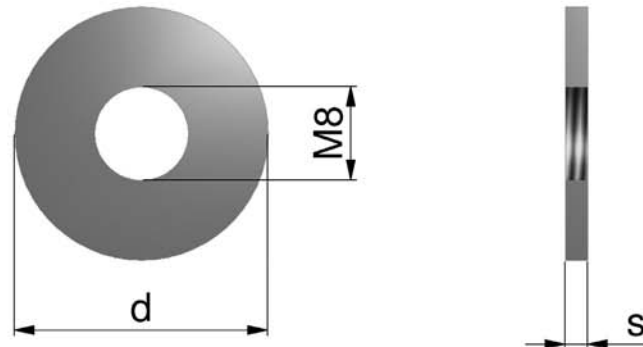
Refractory Anchoring Systems



**GWP-M8-40-40-4-1.4841**

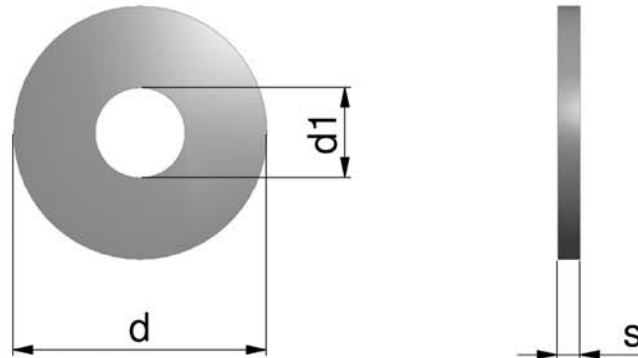
Washer type  
Thread diameter M  
Side length a  
Side length b  
Washer strength t  
Alloy type

05 Threaded studs



## Rund nut-20-4-M8-1.4841

Washer type  
Washer diameter d  
Washer strength s  
Thread diameter  
Alloy type



## DIN 9021-24-B8,4-2-1.4841

Washer type  
 Outside diameter d  
 Drilled hole d1  
 Washer strength s  
 Alloy type

(Washer according DIN 9021, other dimensions are possible)

**01** Closed round bar anchor

**05** Studs

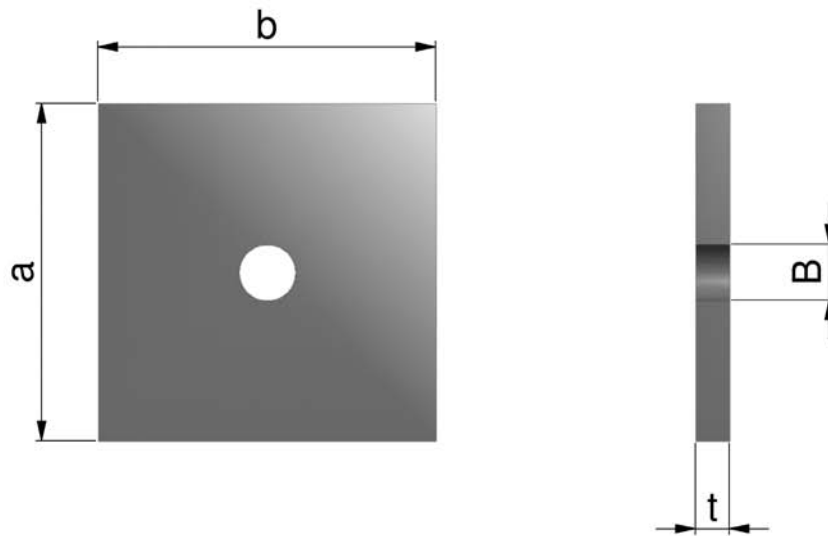


**KSC**

**01** Round bar anchors

# AS Schöler + Bolte

Refractory Anchoring Systems



**ULP-8-40-40-4-1.4841**

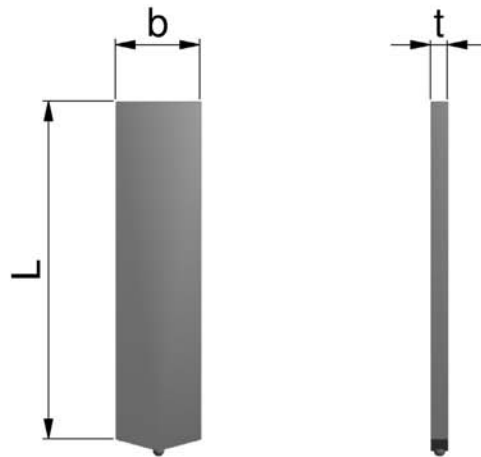
Washer type  
 Drilled hole  $d$   
 Side length  $a$   
 Side length  $b$   
 Washer strength  $t$   
 Alloy type

05 Studs



# AS Schöler + Bolte

Refractory Anchoring Systems



## FSA-3-15-60-1.4841

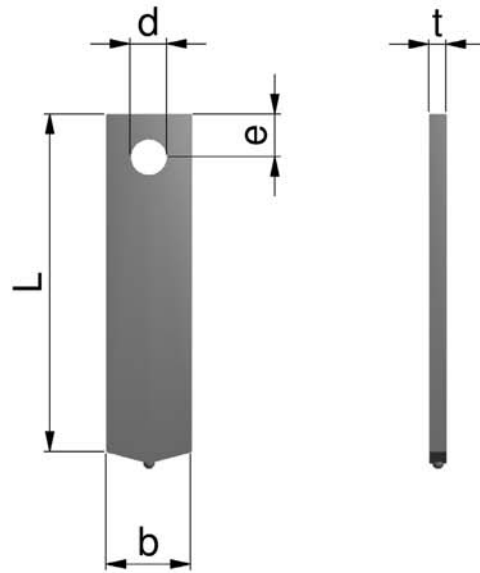
Rectangular stud type  
Stud thickness  $t$   
Stud width  $b$   
Stud length  $L$   
Alloy type

09 Ferrules

---

10 Stud welding unit/ Welding gun

---



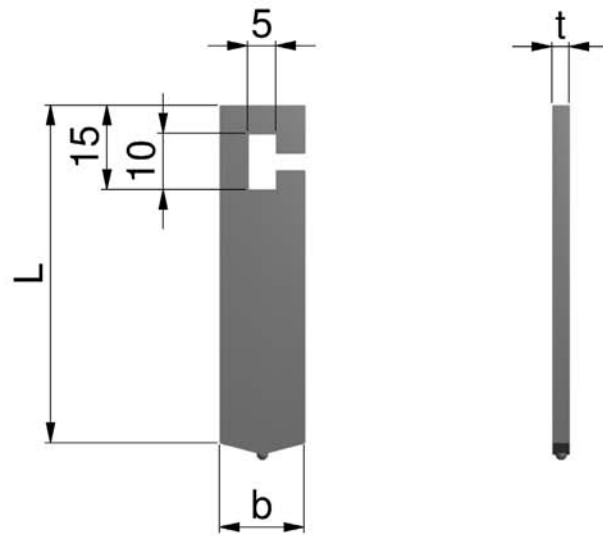
## FSB-3-15-60-15-6,5-1.4841

Rectangular stud type  
 Stud thickness t  
 Stud width b  
 Stud height L  
 Distance e  
 Drilled hole d  
 Alloy type

04 Brick anchor

09 Ferrules

10 Stud welding unit/ Welding gun



**FSC-3-15-60-1.4841**

Rectangular stud type  
 Stud thickness t  
 Stud width b  
 Stud length L  
 Alloy type

04 Brick anchor

09 Ferrules

10 Stud welding unit/ Welding gun



## Mounting lug

**01** Round bar anchor