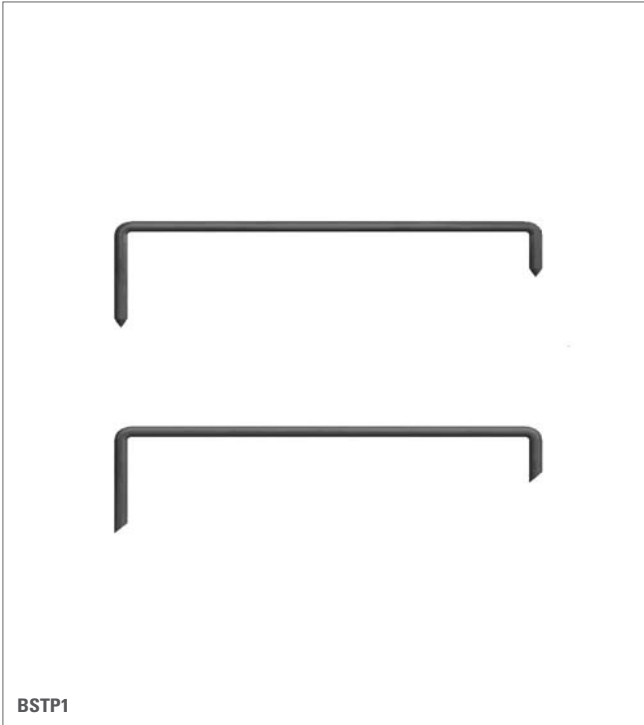
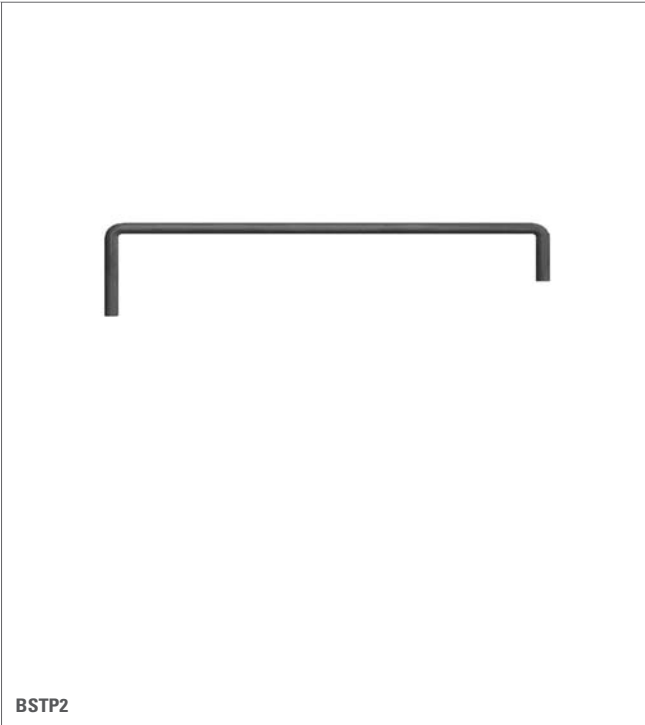


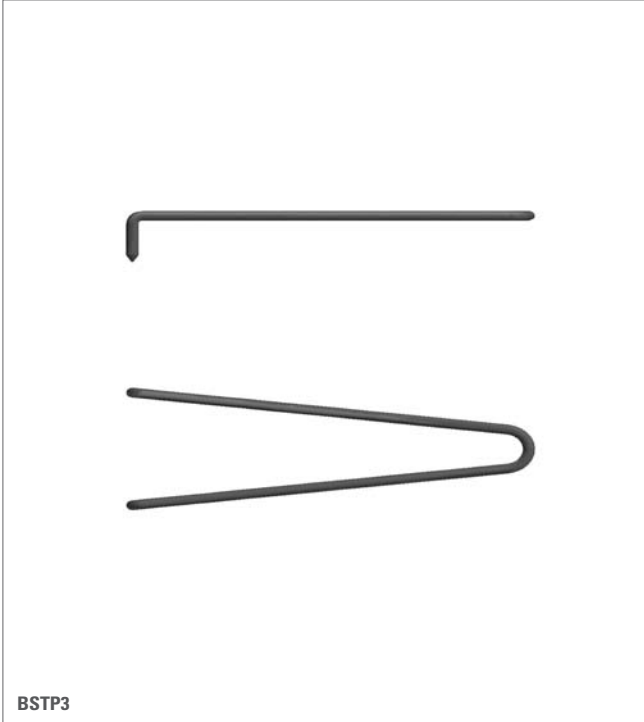
Product overview 04



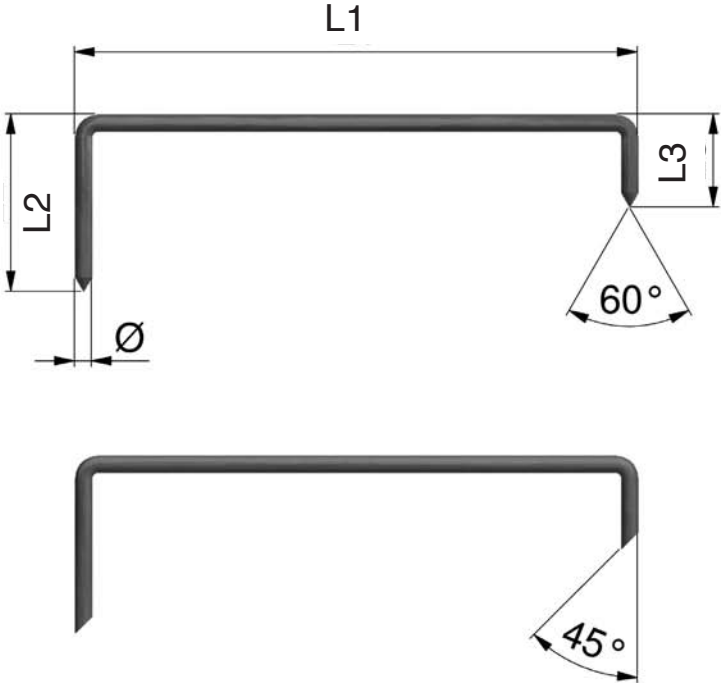
BSTP1



BSTP2



BSTP3

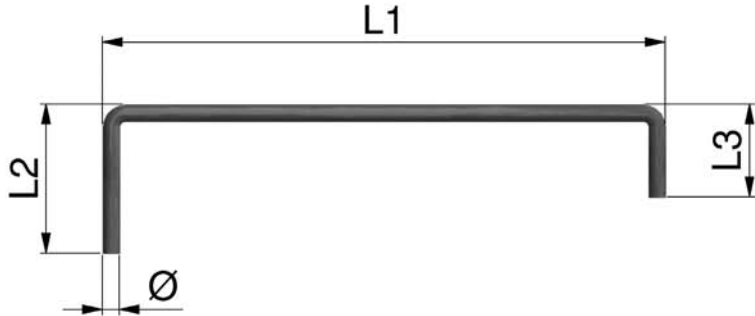


BSTP1-5-200-30-20-1.4841

Anchor type
Diameter Ø
Anchor length L1
Length L2
Length L3
Alloy type

07 Rectangular stud



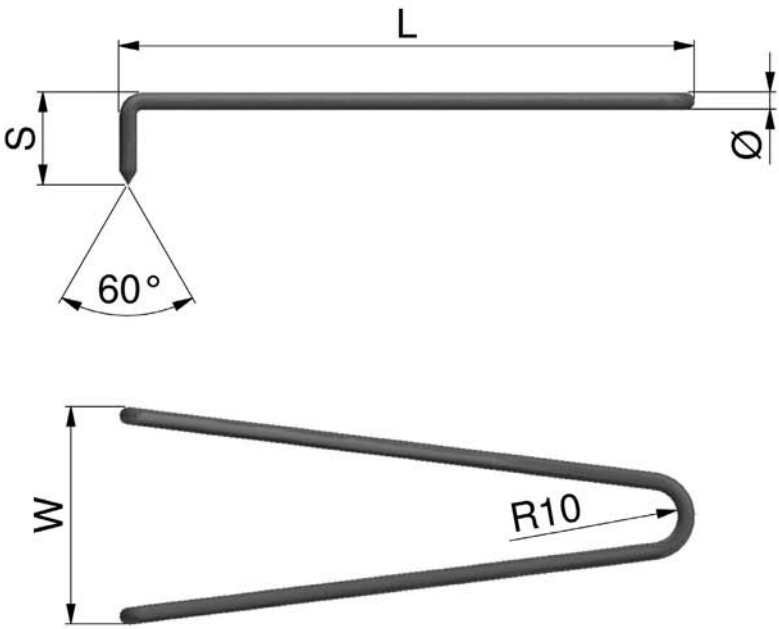


BSTP2-6-200-60-30-1.4841

- Anchor type
- Diameter Ø
- Anchor length L
- Length L2
- Length L3
- Alloy type

07 Rectangular stud





BSTP3-5-200-75-30-1.4841

- Anchor type
- Diameter Ø
- Anchor length L
- Width W
- Length S
- Alloy type