








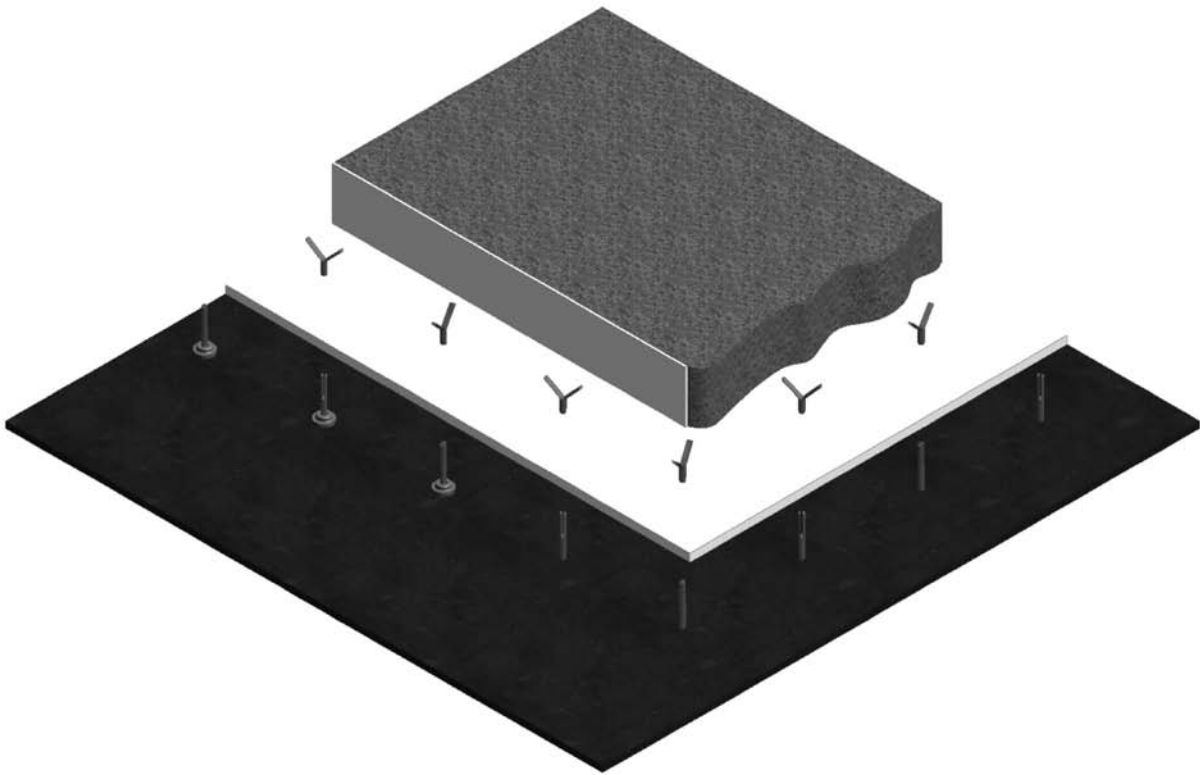
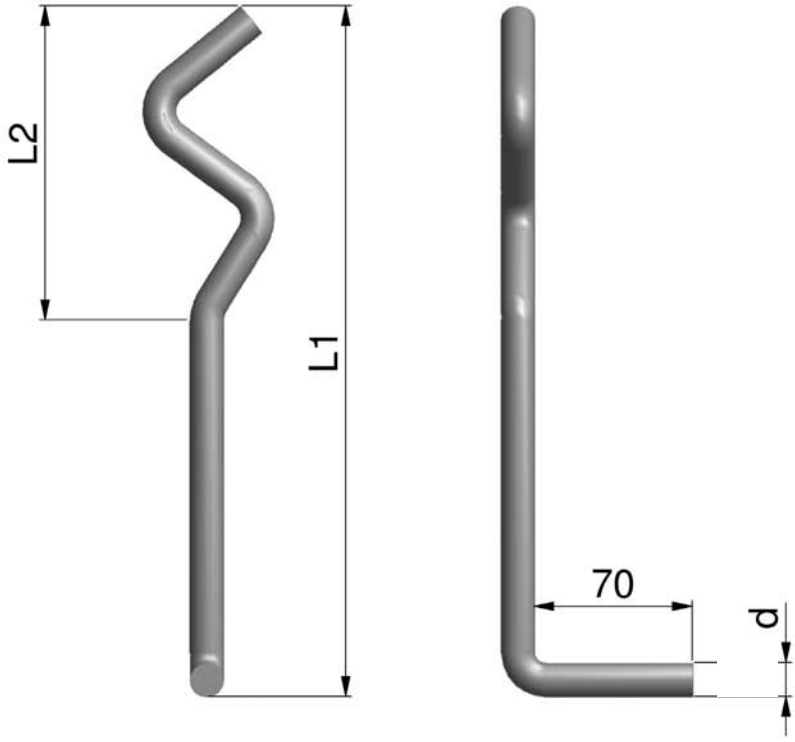


Product overview 03

 <p>CR</p>	 <p>KS</p>
 <p>SF</p>	 <p>SFG</p>
 <p>SYP</p>	 <p>SYS</p>
 <p>SYT</p>	 <p>SWP</p>
 <p>WS</p>	



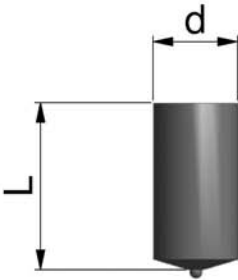
Sample of installation: Product category 3



CR-8-250-100-1.4841

- Stud type
- Diameter d
- Stud height L1
- Length L2
- Alloy type



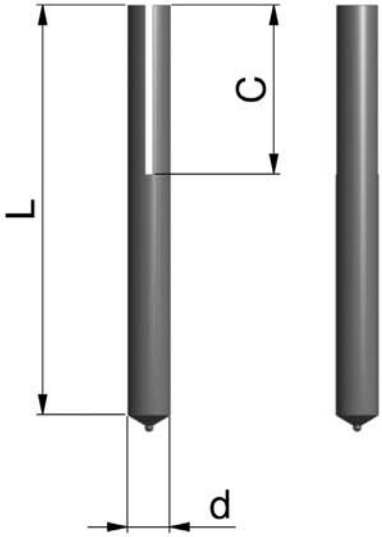


KS-10-20-1.4841

Stud type
Diameter d
Stud length L
Alloy type

09 Ferrules ▶

10 Stud welding unit/ Welding gun ▶

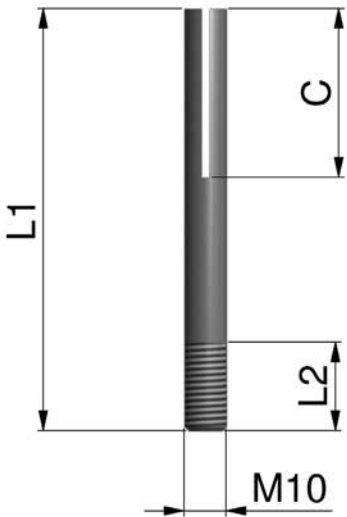


SF-10-100-40-1.4841

- Stud type
- Stud diameter d
- Stud length L
- Slot length C
- Alloy type

09 Ferrules

10 Stud welding unit/ Welding gun

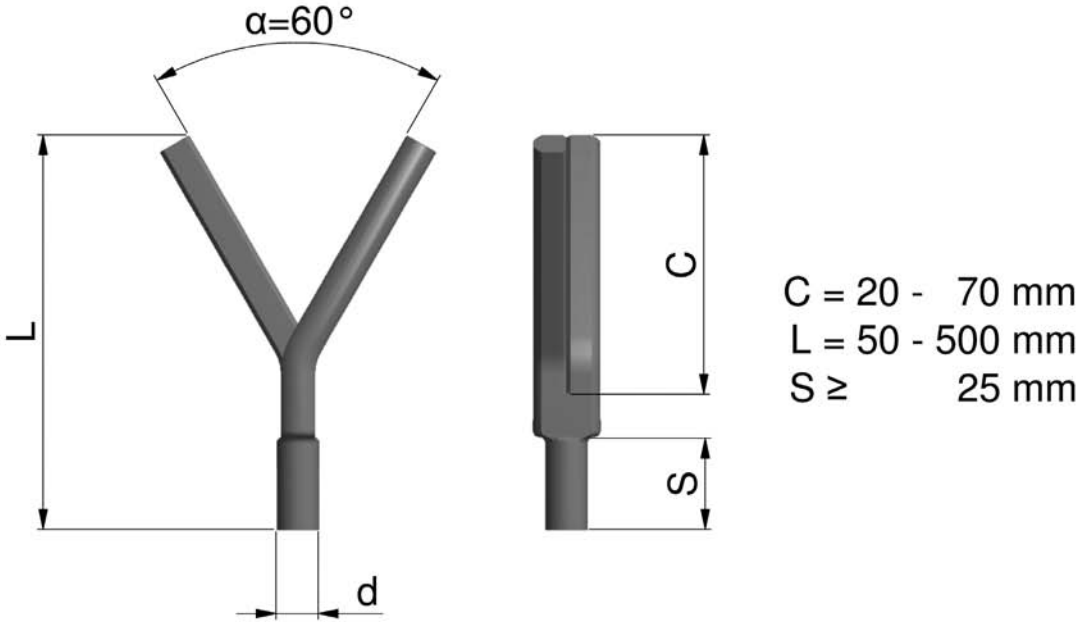


SFG-M10-100-30-40-1.4841

- Stud type
- Thread diameter M
- Stud length L1
- Thread length L2
- Slot length C
- Alloy type

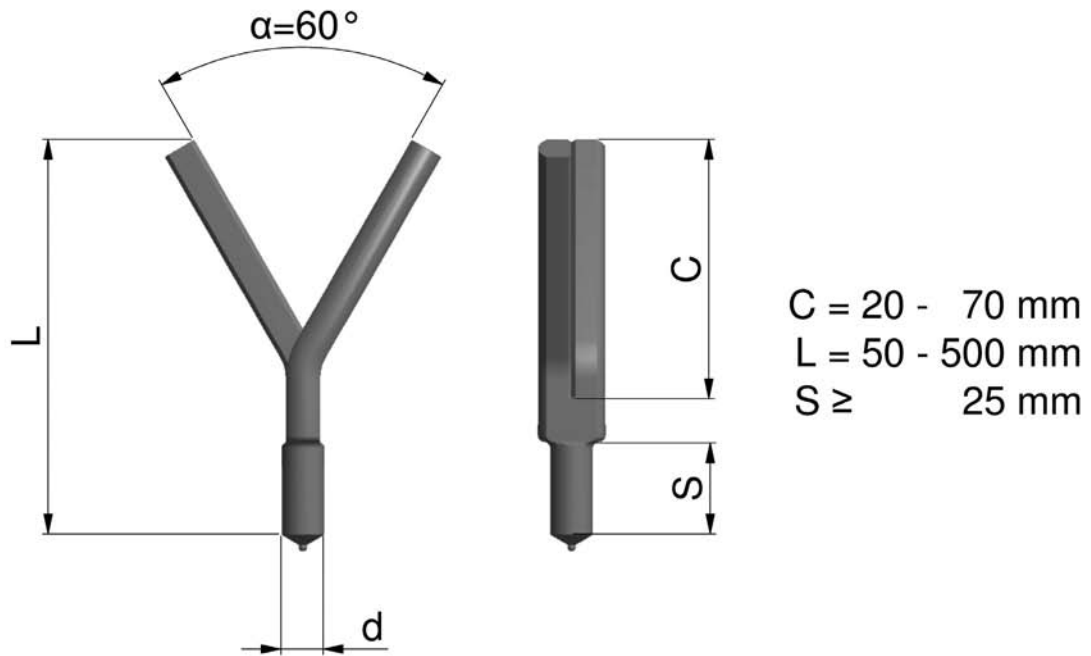
07 Tapped stud





SYP-10-100-50-1.4841

- Stud type
- Shaft diameter d
- Stud length L
- Slot length C
- Alloy type

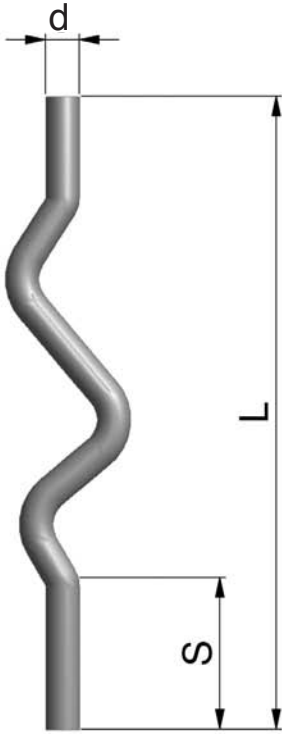


SYS-10-100-50-1.4841

Stud type
Shaft diameter d
Stud length L
Slot length C
Alloy type

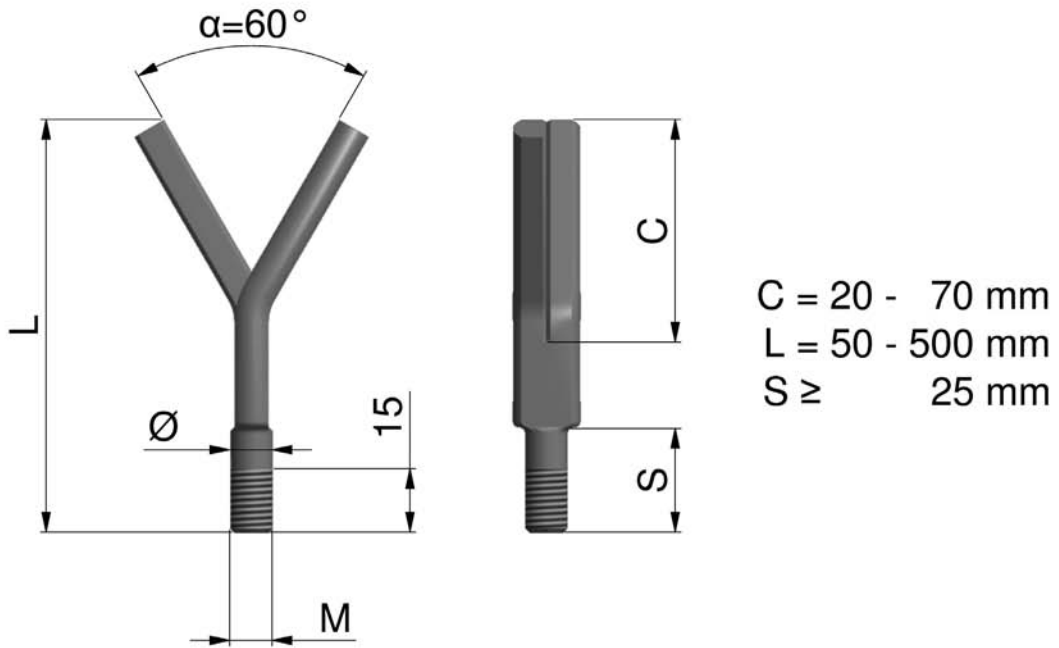
09 Ferrules

10 Stud welding unit/ Welding gun



SWP-8-150-35-1.4841

- Stud type
- Shaft diameter d
- Stud length L
- Step S
- Alloy type

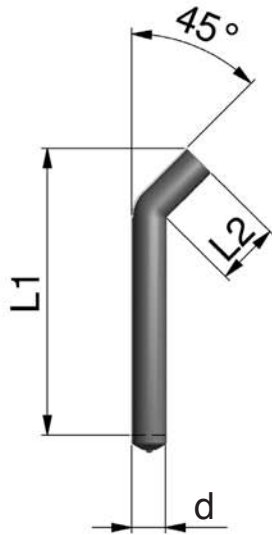


SYT-10-100-50-1.4841

Stud type
Thread diameter M
Stud length L
Slot length C
Alloy type

07 Tapped stud





Ø6 ohne Aluminiumkugel
Ø8 mit Aluminiumkugel

WS-6-70-25-1.4841

Stud type
Diameter d
Stud length L1
Length L2
Alloy type

09 Ferrules

10 Stud welding unit/ Welding gun
